



# Spine

CATALOGUE

# MS - I™

## Spinal Fixation System

The Low Profile, top-loading, self tapping Pedicle screw system.



### Mono and Poly Screw Size Chart

Screw Diameter	Screw Length (mm)						
	25 mm	30 mm	35 mm	40 mm	45 mm	50 mm	55 mm
4.5 mm	•	•	•	•	•		
5.5 mm		•	•	•	•	•	•
6.2 mm		•	•	•	•	•	•
7 mm		•	•	•	•	•	•



### Reduction Screw Size Chart

Screw Diameter	Screw Length (mm)					
	25 mm	30 mm	35 mm	40 mm	45 mm	50 mm
4.5 mm	•	•	•			
5.5 mm		•	•	•	•	•
6.2 mm		•	•	•	•	•
7 mm			•	•	•	•



Cross Link		
Sr. No.	Product Code	Length (mm)
1	CLT005.3034	30 - 34
2	CLT005.3442	34 - 42
3	CLT005.4053	40 - 53
4	CLT005.5070	50 - 70

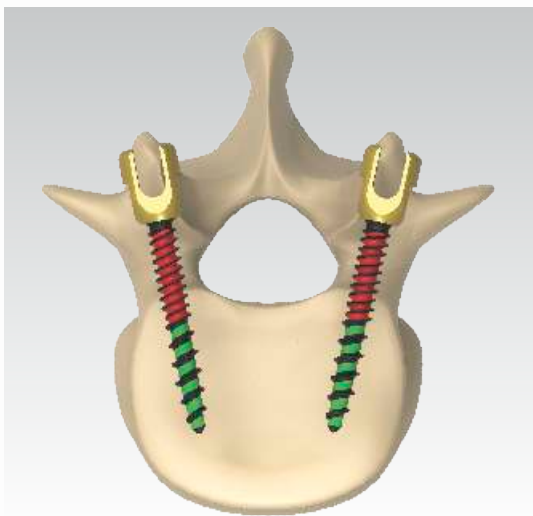


Rod (dia 5.7mm)					
Sr. No.	Product Code	Length (mm)	Sr. No.	Product Code	Length (mm)
1	RT004.57.40	40	7	RT004.57.100	100
2	RT004.57.50	50	8	RT004.57.120	120
3	RT004.57.60	60	9	RT004.57.140	140
4	RT004.57.70	70	10	RT004.57.160	160
5	RT004.57.80	80	11	RT004.57.200	200
6	RT004.57.90	90	12	RT004.57.400	400

# MS - II

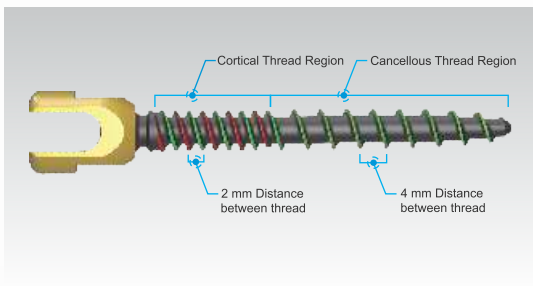
## Spinal Fixation System

The Dual Lead, top-loading,  
Pedicle screw system.

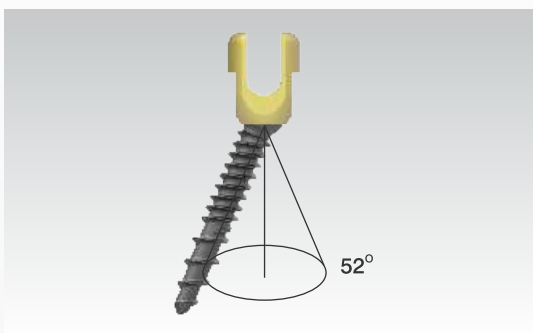


### Sizes :

Screw	Screw Length (mm)						
	25 mm	30 mm	35 mm	40 mm	45 mm	50 mm	55 mm
4.5 mm	•	•	•	•	•		
5.5 mm		•	•	•	•	•	•
6.2 mm		•	•	•	•	•	•
7 mm			•	•	•	•	•



- Dual Lead enables Secure Anchorage in cortical and cancellous bone.
- Dual thread pattern ensures pull-out strength.



52° Angulation of poly screw.

### Poly Axial Screw Colour-coding



Colour coding implant for easy identification.

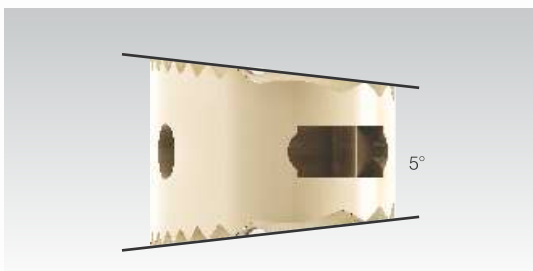
# ALC™ - Tlif Cage

Comprehensive system for Transforaminal Lumber Interbody fusion



## Sizes :

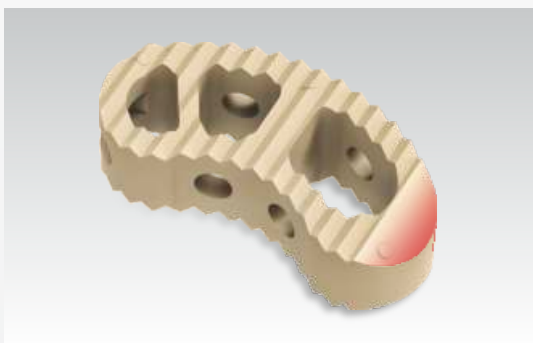
Material	Width	Height (mm)
PEEK	28	7, 8, 9, 10, 11, 12, 13
Titanium	28	7, 8, 9, 10, 11, 12, 13



Shape of the Tlif-cage matches the anatomical curvature of the vertebral body.



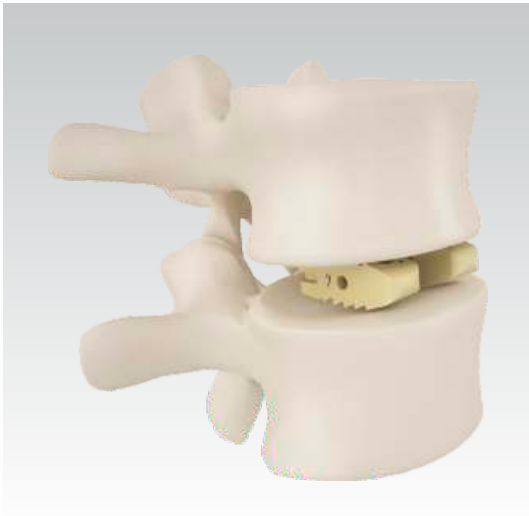
Biconvex shape and aggressive tooth pattern maximizes end plate contact and stability.



Tapered tip facilitates easy insertion.

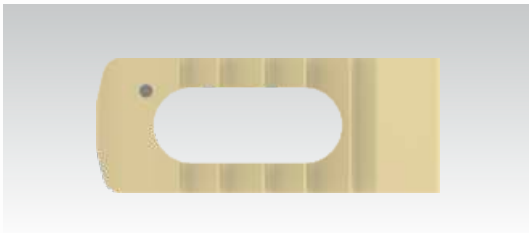
# ALC™ - Plif Cage

PLIF Cages from Radiolucent, Bio-compatible PEEK material.



## Sizes :

Material	Degree	Width	Height (mm)
PEEK	0°	22 / 26	7, 8, 9, 10, 11, 12, 13, 14
Titanium	0°	22 / 26	7, 8, 9, 10, 11, 12, 13, 14



Toothed upper & lower surfaces for better anchoring.

# CTL

Mesh Cage System



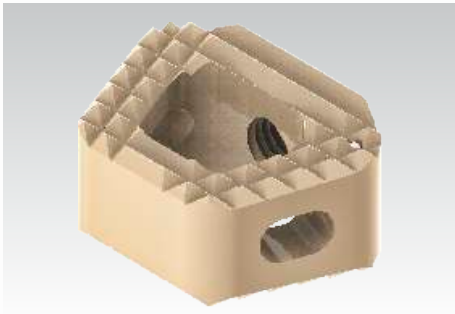
## Sizes :

Diameter (mm)	Length (mm)							
	15 mm	20 mm	25 mm	30 mm	35 mm	40 mm	45 mm	50 mm
10	•	•	•	•				
12	•	•	•	•	•	•		
14		•	•	•	•	•	•	
16			•	•	•	•	•	•

# ACC™ System

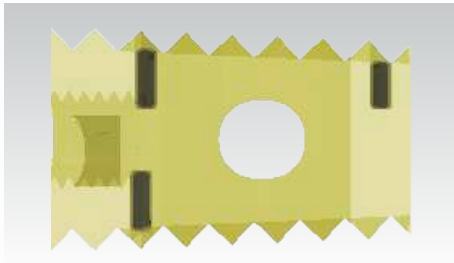
## Anatomical Cervical Cage System.

Cervical cages from Radiolucent,  
Bio-compatible PEEK material.

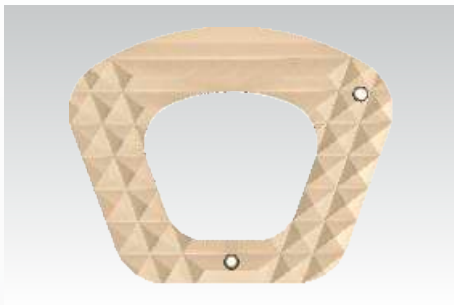


### Sizes :

Material	Width	Height (mm)
PEEK	14	5, 6, 7, 8, 9
	16	5, 6, 7, 8, 9
Titanium	14	5, 6, 7, 8, 9
	16	5, 6, 7, 8, 9



X-ray markers allows  
3D-Visualization and  
radiological Identification.



Large grafting area to  
optimize bone fusion.



Implant teeth reduces  
likelihood of migration  
in any direction.

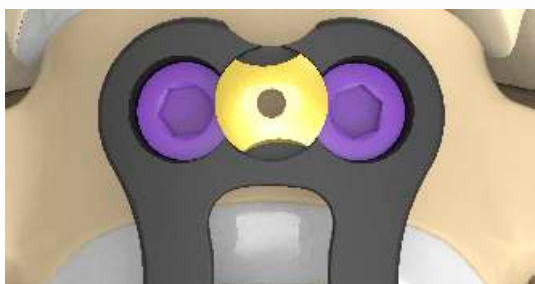
# ACP™ System

Anterior Cervical Plating System.



## Sizes :

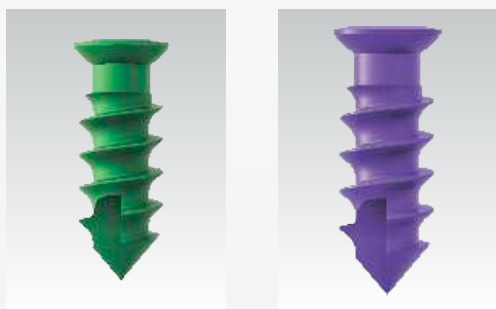
Material	Level	Length (mm)
Titanium Alloy	I	19, 21, 23, 25, 27.5, 30, 32.5
	II	35, 37.5, 40, 42.5, 45, 47.5, 50
	III	52.5, 55, 57.5, 60, 62.5, 65, 67.5, 70, 72.5



Integrated locking mechanism enabled with ¼ twist of a driver prevents screw backing out.



Adequate window for graft visibility



## Self- Drilling, Self –Tapping Screws

Reduces the need for intra-operative surgical steps.

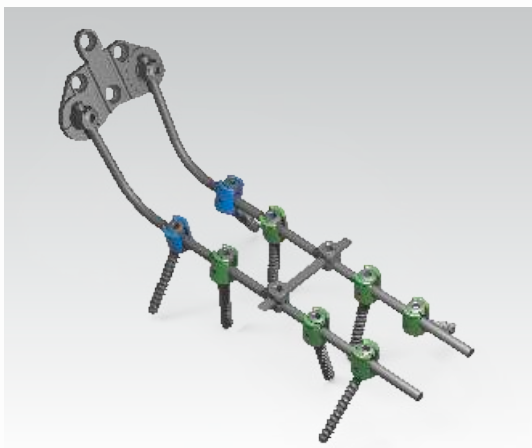
## Sizes :

Description	Height (mm)
4.0 mm Cervical Screw (Green)	11, 13, 15, 17
4.5 mm Cervical Revision Screw (Purple)	11, 13, 15, 17

# PCF™

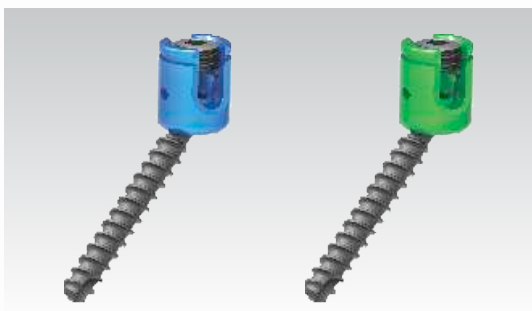
## Posterior Cervical Fixation System

Top-loading, Self Tapping Poly Screw



### Sizes :

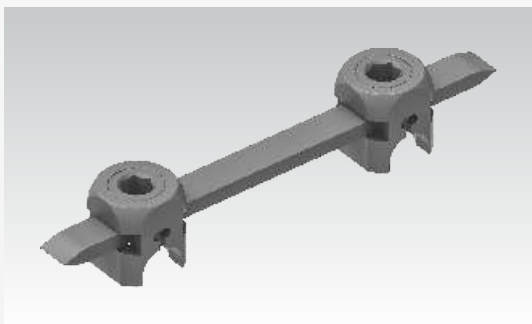
Diameter (mm)	Length (mm)
3.5	12 to 34 (2 mm Increment)
4.0	12 to 34 (2 mm Increment)



- Thread pattern of Poly Axial Screw provide maximum pull out strength.
- Colour coding implant for identification.



Low profile Occipital Plate  
Accommodate 3.5 mm rod.



Cross link provides significant stability of  
a bilateral rod construct.